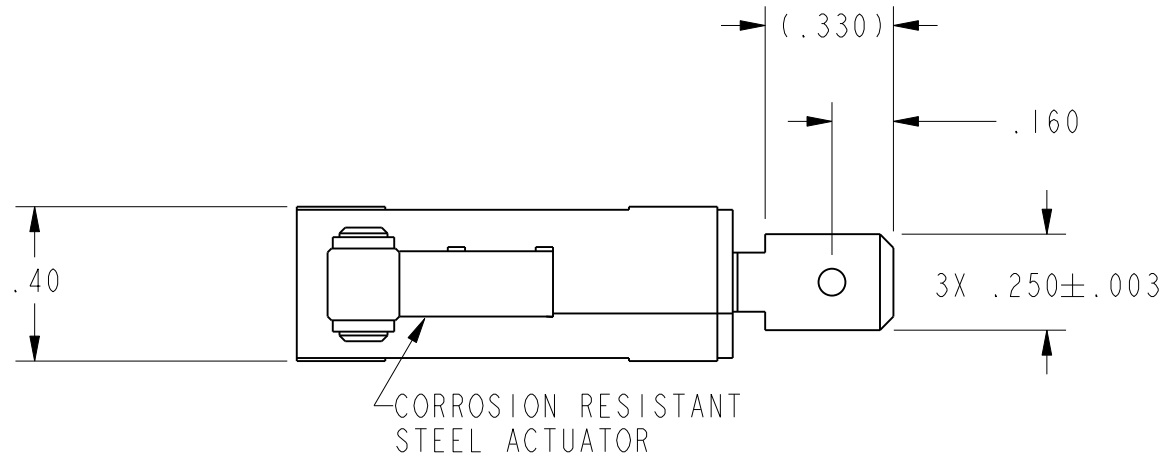
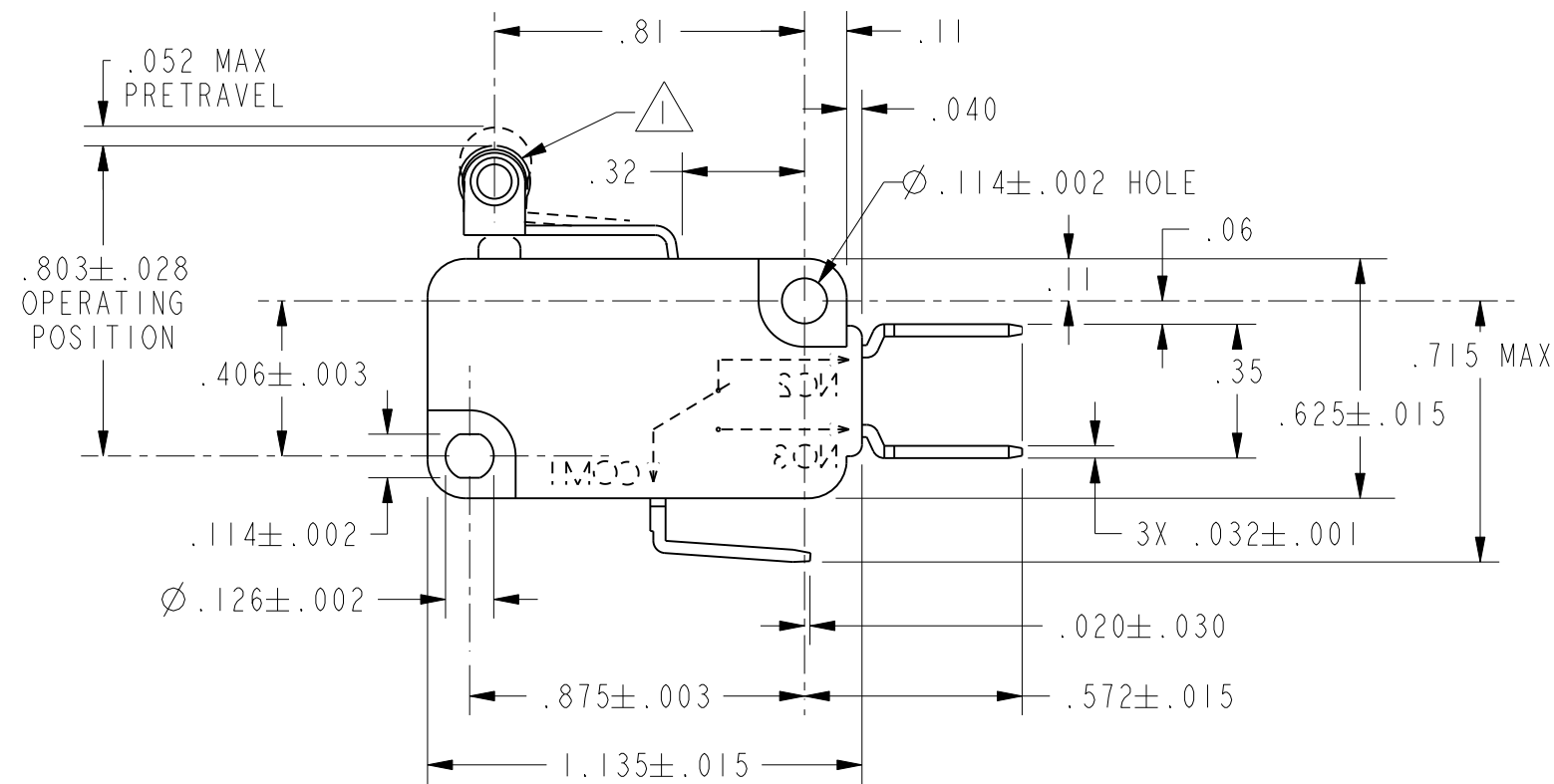


| REV | DOCUMENT | CHANGED BY | CHECK |
|-----|----------|------------|-------|
| 4   | 0041136  | SS 26JUN08 | BLR   |



NOTES  
 △ .19 X .19 WIDE OIL BRONZE ROLLER (CONCENTRICITY .005 FIM)



| CHARACTERISTICS     |                     |
|---------------------|---------------------|
| OPERATING FORCE     | ----- 176 GRAMS MAX |
| RELEASE FORCE       | ----- 19 GRAMS MIN  |
| DIFFERENTIAL TRAVEL | ----- .012 MAX      |
| OVERTRAVEL          | ----- .032 MIN      |
| RELEASE TRAVEL      | ----- .007 MIN      |

| ELECTRICAL DATA                |   |
|--------------------------------|---|
| CONTACT ARRANGEMENT<br>S P D T |   |
| L215                           | 15.1A 1/2HP 125, 250 OR 277 VAC<br>1/2A 125 VDC<br>1/4A 250 VDC; 5A 125 VAC "L" |

|  |   |   |       |
|--|---|---|-------|
| UNLESS OTHERWISE SPECIFIED TOLERANCES ARE: |   |   |       |
|  | <input checked="" type="checkbox"/> US (inch) CUSTOMARY | <input type="checkbox"/> SI (mm) METRIC |       |
| NO PLACE                                   | X   | ±.040                                   | ±1    |
| ONE PLACE                                  | .X  | ±.030                                   | ±0,4  |
| TWO PLACE                                  | .XX   | ±.015                                   | ±0,15 |
| THREE PLACE                                | .XXX  | ±.005                                   | ±     |
| ANGLES                                     |   | ±                                       | ±     |
| RAW MATERIAL-COMMERCIAL STANDARD           |   |   |       |
| THIRD ANGLE PROJECTION                     |   |   |       |

|  |                  |        |
|--|------------------|--------|
| DRAWN  | TSM              | 7FEB03 |
| CHECK  | SAV              | 7FEB03 |
| THIS DRAWING COVERS A PROPRIETARY ITEM AND IS THE PROPERTY OF HONEYWELL. THIS DRAWING IS NOT TO BE COPIED OR USED WITHOUT THE PERMISSION OF HONEYWELL. |                  |        |
| DIMENSIONS ARE TO BE MET BEFORE PROTECTIVE COATINGS ARE APPLIED  |                  |        |
| PTC 2D   | ASME Y14.5M-1994 |        |

|                                |          |                      |              |
|--------------------------------|----------|----------------------|--------------|
| <b>Honeywell</b>               |          |                      |              |
| TITLE<br><b>SWITCH , BASIC</b> |          |                      |              |
| SIZE                           | DWG TYPE | DRAWING NAME         | REV          |
| <b>B</b>                       | <b>I</b> | <b>V7-1C17E9-201</b> | <b>4</b>     |
| SCALE                          | 2:1      | WEIGHT               | SHEET 1 OF 1 |

